

## Install

# VLS 5-WH

Passive Column Array Loudspeaker with 5 Mid Range Drivers for Speech Only Installation Applications (White)

- Passive column array loudspeaker for indoor and outdoor installation applications
- 120 Watts continuous, 480 Watts peak power
- 5 vertically arrayed 3.5" full frequency drivers provide high intelligibility speech reproduction
- Can be used as a ceiling mounted device in long narrow corridors
- Specification and design aided by Ease Focus software
- Multiple transformer taps for 70 V and 100 V line systems or 12 Ohm direct input
- Low insertion loss 100 W line transformer with easily accessible tapping switch
- All components weather resistant to IP65 for outdoor use
- Architecturally styled aluminium enclosure with a semi matt white painted finish
- Corrosion resistant stainless steel perforated grille
- Included custom brackets allow quick and accurate installation
- 10-Year Warranty Program\*
- Designed and engineered in the U.K.

The VLS 5-WH is a 480-Watt passive column array loudspeaker ideally suited for challenging acoustic and architecturally sensitive spaces where speech reinforcement is required. Applications include airports, train stations, conference centers, houses of worship, stadium concourses, museums, theme parks and hotels. The vertically arrayed mid-range drivers provide high-intelligibility speech reproduction packaged in a slender and narrow profile, aesthetically refined, painted aluminum chassis that facilitates quick and easy installation, including ceiling mounting in long narrow corridors.



## Superb Performance

VLS 5-WH's design comprises 5 vertically arrayed 3.5" mid-range drivers designed for pristine speech reproduction from 130 Hz - 15 kHz (-10 dB), with 116 dB peak SPL (1 m, Lo-Z). The UV and weather resistant aluminium enclosure provides 130° horizontal x 45° vertical dispersion for targeted coverage.

## Install

# VLS 5-WH

Passive Column Array Loudspeaker with  
5 Mid Range Drivers for Speech Only  
Installation Applications (White)

### Low-Z or Transformer Operation

A multi-position tamper-resistant rotary switch on the rear panel allows the choice of either the low-Z, or the 70 / 100 V operating modes, with available transformer taps at 100; 50; 25, and 12.5 Watts.



### Outdoor Applications

A right angled water tight cable gland is supplied with the VLS 5-WH for use in outdoor applications along with an input panel cover plate that can be secured to the cabinet using the four screws. Simply pass the wiring through the cable gland and make your connections on the provided barrier strip. A second strip is provided for linking additional loudspeakers in either low-Z, or 70 / 100 V distributed systems.

### Attractive & Easy to Install

The stylish and durable extruded aluminium enclosure with stainless steel grille features a semi matt white paint finish that fits unobtrusively into even the most architecturally sensitive environments. Input is via a low insertion loss 100 W line transformer with multiple taps for 70 / 100 V line systems. A dedicated flying bracket, wall mount bracket, input panel cover plate, and weather resistant gland are all included for ease of installation. At only 8.2 kg (18.1 lbs), the VLS 5-WH is significantly lighter and easier to install than many competing products.



## Install

# VLS 5-WH

Passive Column Array Loudspeaker with  
5 Mid Range Drivers for Speech Only  
Installation Applications (White)

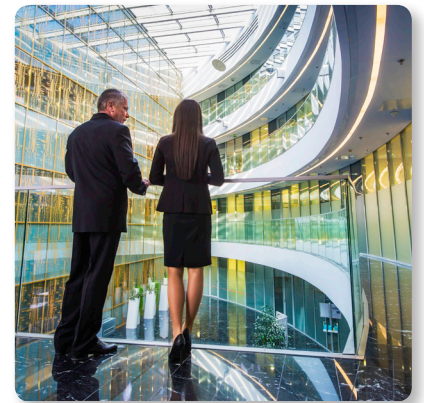


### Connections

Utilising a pair of internally paralleled barrier strip connectors, the VLS 5-WH can either be connected to a low-Z amplifier, or used within a 70 / 100 V distributed system. The operation mode is easily selectable via rotary switch located on the rear of the enclosure.

### Build Quality

The architecturally styled corrosion resistant extruded aluminium enclosure is finished in a semi matt white paint and is complemented by a stainless steel perforated grille. All VLS 5-WH mounting hardware is included and over-engineered for the ultimate in safety. Custom RAL colours are also available (additional cost and lead time).



### You Are Covered

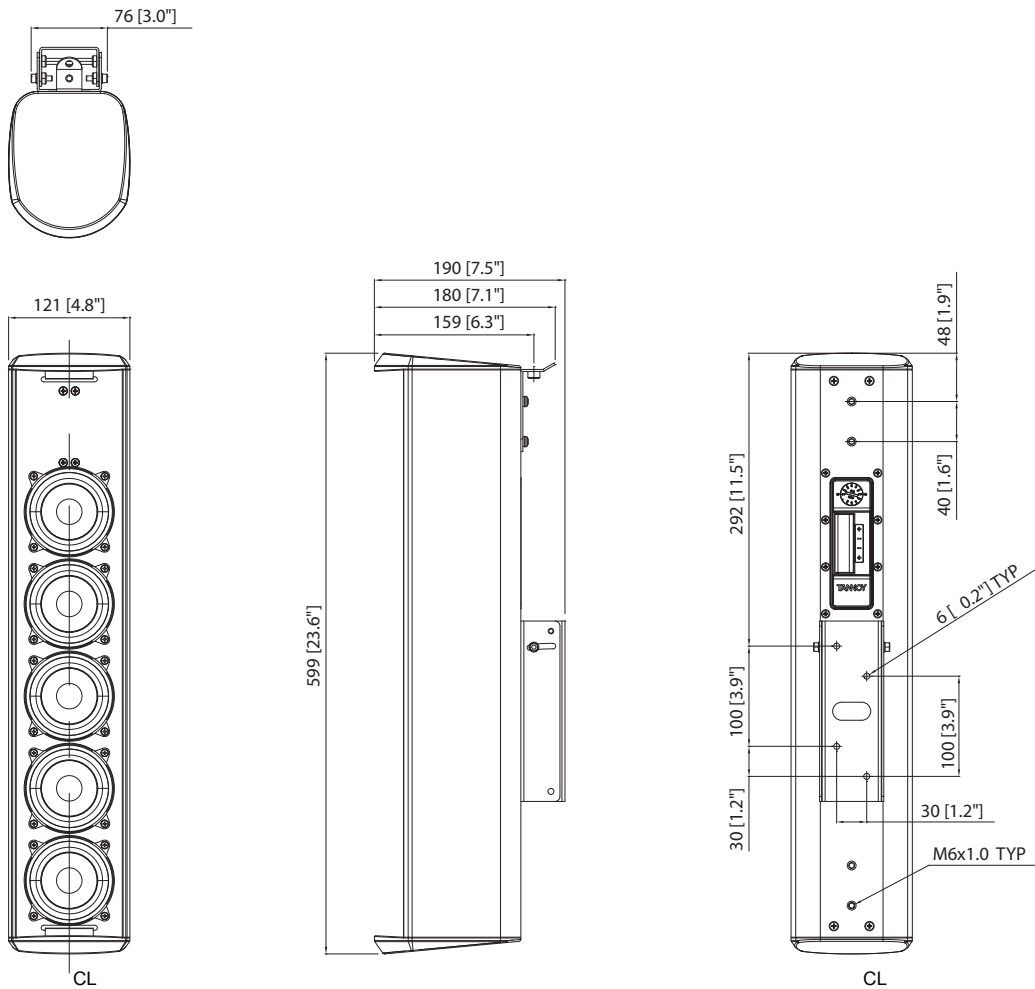
We always strive to provide the best possible Customer Experience. Our products are made in our own **MUSIC Tribe** factory using state-of-the-art automation, enhanced production workflows and quality assurance labs with the most sophisticated test equipment available in the world. As a result, we have one of the lowest product failure rates in the industry, and we confidently back it up with a generous **Warranty program**.

Install

# VLS 5-WH

Passive Column Array Loudspeaker with  
5 Mid Range Drivers for Speech Only  
Installation Applications (White)

## Dimensions



## Install

# VLS 5-WH

Passive Column Array Loudspeaker with  
5 Mid Range Drivers for Speech Only  
Installation Applications (White)

## Technical Specifications

### System

Frequency response	150 Hz - 12 kHz; $\pm 3$ dB 130 Hz - 15 kHz; -10 dB
Horizontal dispersion (-6 dB)	130° H
Vertical dispersion (-6 dB)	45°
Power handling (IEC)	120 W average, 240 W programme, 480 W peak
Recommended amplifier power	350 W @ 8 $\Omega$
System sensitivity	89 dB (1 m, Lo Z)
Sensitivity	75 dB (4 M, through transformer)
Nominal impedance (Lo Z)	12 $\Omega$
Maximum SPL	89 dB (4 M, through transformer)
Rated maximum SPL	110 dB average, 116 dB peak (1 m, Lo Z)
Crossover	Passive Network utilising frequency shading
Crossover point	—
Directivity factor (Q)	7.2 averaged, 1 kHz to 10 kHz
Directivity index (DI)	8.6 averaged, 1 kHz to 10 kHz
Components	5 x 3.5" (89 mm) fullrange drivers

### Transformer taps (via rotary switch) (Rated noise power and impedance)

70 V	100 W (50 $\Omega$ ) / 50 W (100 $\Omega$ ) / 25 W (200 $\Omega$ ) / 12.5 W (400 $\Omega$ ) / off & low impedance operation
100 V	100 W (100 $\Omega$ ) / 50 W (200 $\Omega$ ) / 25 W (400 $\Omega$ ) / off & low impedance operation

### Coverage angles

500 Hz	360° H x 106° V
1 kHz	220° H x 60° V
2 kHz	150° H x 46° V
4 kHz	170° H x 30° V

### Enclosure

Connectors	Barrier strip
Wiring	Terminal 1+ / 2- (input); 3- / 4+ (link)
Dimensions HWD	599 x 121 x 147 mm (23.6 x 4.8 x 5.8")
Net weight	8.2 kg (18.1 lbs)
Construction	Aluminium extrusion
Finish	Paint RAL 9003 (white) / RAL 9004 (black) Custom RAL colours available (additional cost and lead-time)
Grille	Powder coated perforated steel
Flying hardware	Flying bracket, wall mount bracket, input panel cover plate and gland

#### Notes:

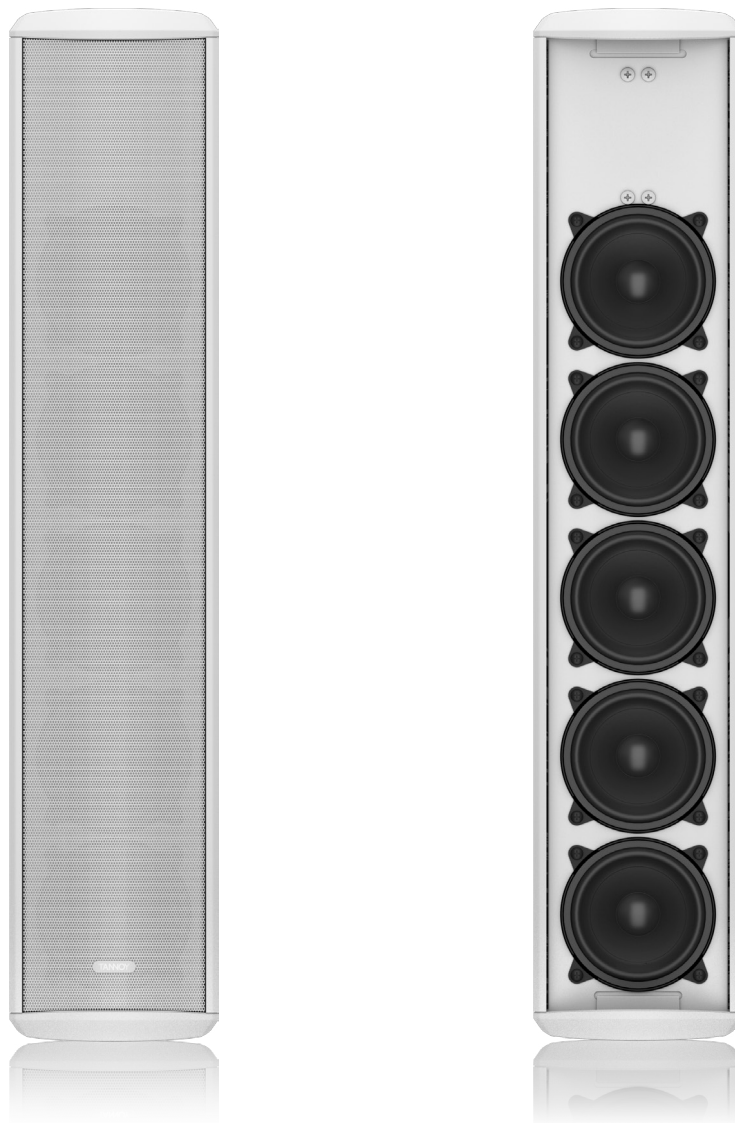
- (1) Average over stated bandwidth. Measured in an IEC baffle in an Anechoic Chamber
- (2) Unweighted pink noise input, measured at 1 metre on axis
- (3) Long term power handling capacity as defined in IEC268-5 test
- (4) The reference point for the reference axis (on-axis) is the centre of the baffle



Install

# VLS 5-WH

Passive Column Array Loudspeaker with  
5 Mid Range Drivers for Speech Only  
Installation Applications (White)



Install

# VLS 5-WH

Passive Column Array Loudspeaker with  
5 Mid Range Drivers for Speech Only  
Installation Applications (White)



Install

# VLS 5-WH

Passive Column Array Loudspeaker with  
5 Mid Range Drivers for Speech Only  
Installation Applications (White)





## Install

# VLS 5-WH

Passive Column Array Loudspeaker with  
5 Mid Range Drivers for Speech Only  
Installation Applications (White)



For service, support or more information contact the TANNNOY location nearest you:

**Europe**  
**MUSIC Tribe Brands UK Ltd.**  
Tel: +44156 273 2290  
Email: CARECrea@music-group.com  
CAREEnte@music-group.com  
CARELife@music-group.com

**USA/Canada**  
**MUSIC Tribe Commercial NV Inc.**  
Tel: +1 702.800 8290  
Email: CARECrea@music-group.com  
CAREEnte@music-group.com  
CARELife@music-group.com

**Japan**  
**MUSIC Tribe Services JP K.K.**  
Tel: +81 3 6231 0453  
Email: CARECrea@music-group.com  
CAREEnte@music-group.com  
CARELife@music-group.com

MUSIC Tribe accepts no liability for any loss which may be suffered by any person who relies either wholly or in part upon any description, photograph, or statement contained herein. Technical specifications, appearances and other information are subject to change without notice. All trademarks are the property of their respective owners. MIDAS, KLARK TEKNIK, LAB GRUPPEN, LAKE, TANNNOY, TURBOSOUND, TC ELECTRONIC, TC HELICON, BEHRINGER, BUGERA and COOLAUDIO are trademarks or registered trademarks of MUSIC Tribe Global Brands Ltd. © MUSIC Tribe Global Brands Ltd. 2018 All rights reserved.

# TANNNOY